

# Explosion Proof Flange Temperature Transmitter Model: ZJX-PA-PT-A3



## PRODUCT FEATURES AND APPLICATION FIELDS

### Description:

The ZJX-PA-PT-A3 explosion proof flange temperature transmitter is composed of a temperature sensor, compensation circuit, and conversion circuit. The internal resistance value changes with temperature changes, and the internal circuit converts its value into a linear analog output. The external structure is explosion-proof and can have local display and remote transmission functions.

### Features:

- Multiple output signals can be selected
- Multiple installation interfaces can be selected
- Multiple anti-corrosion materials can be selected for temperature measurement positions
- Strong anti-interference, vibration resistance, and high mechanical strength
- Design of explosion-proof and flameproof structures
- The depth and diameter of measuring tube components can be selected

### Advantages:

- Large measurement range (-200 °C -2000 °C)
- Compact structure for easy installation
- Fast response time and high measurement accuracy
- Simultaneously equipped with on-site LCD display and remote transmission functions
- Support OEM/ODM customization

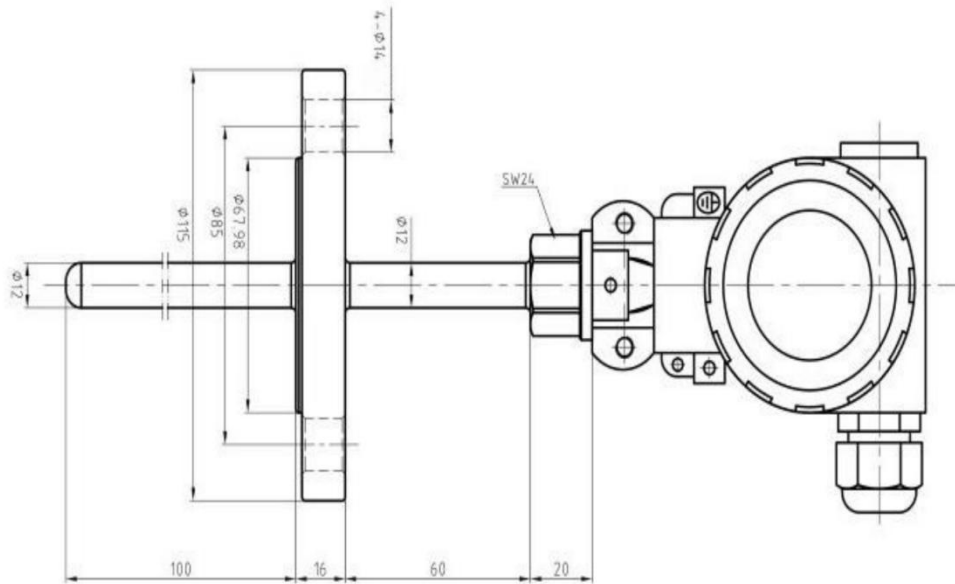
**Application:**

Food and Beverage  
 Oil, natural gas, chemical industry  
 Measurement of environmental wastewater and exhaust gas  
 Metallurgy and glass industry  
 Steel, building materials  
 Hydraulic and engineering machinery  
 Plastic and chemical fiber textile machinery  
 Glue measurement and paint spraying equipment  
 New energy, semiconductors  
 Medical, Pharmaceutical, Paper

## PRODUCT PARAMETERS

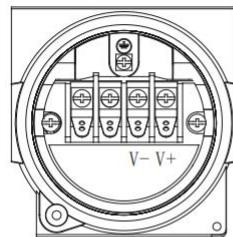
Measuring Range	-200℃~2000℃
Display Type	Do not display, Local display
Structure Type	Compact, Explosion-proof
Output/Communication	4-20mA,4-20mA+Hart,0-10V,1-5V,Customizable
Power Supply	12-32V
Process Connector	G1/4, G1/2,1.5",DN25,Customizable
Insert Tube Diameter	6mm ,8mm ,12mm ,Customizable
Insert Tube Length	25mm, 50mm,300mm,1000mm,Customizable
Insert Tube Material	304SS,316LSS,PTFE,Customizable
Accuracy	±0.5%FS
Electrical Connections	M12*1 connection, Hirschmann,1/2NPT(Explosion proof enclosure)
Protection Grade	IP65,IP67

## OVERALL DIMENSIONS



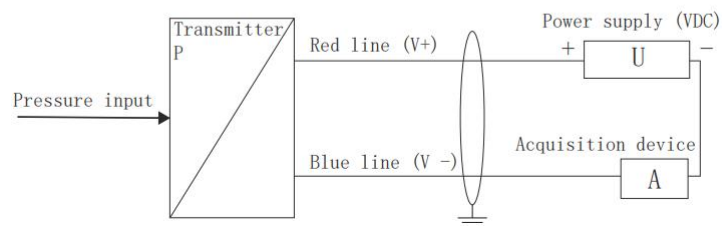
## PRODUCT CONNECTION MODE

Current output wiring diagram (two-wire system)



V+: power supply positive

V -: power supply negative



# PRODUCT SELECTION TABLE

Code	Explosion Proof Plug-In Temperature Transmitter									
ZJX-PA-PT-A3	Explosion Proof Plug-In Temperature Transmitter									
	Code	Pressure Range								
	Fill In The Actual Demand	-200°C~2000°C								
	Code	Display Type								
	N	Do not display								
	D	Local display								
	Code	Structure Type								
	C	Compact								
	E	Explosion-proof								
	Code	Output/Communication								
	O1	4-20mA								
	O2	4-20mA+Hart								
	O3	0-10V								
	O4	1-5V								
	O5	Customizable								
	Code	Process Connector								
	P1	G1/4								
	P2	G1/2								
	P3	1.5"								
	P4	DN25								
	P5	Customizable								
	Code	Insert Tube Diameter								
	D1	6mm								
	D2	8mm								
	D3	12mm								
	D4	Customizable								
	Code	Insert Tube Length								
	L1	25mm								
	L2	50mm								
	L3	300mm								
	L4	1000mm								
	L5	Customizable								
	Code	Insert Tube Material								
	T1	304SS								
	T2	316LSS								
	T3	PTFE								
	T4	Customizable								
	Code	Electrical Connections								
	M	M12*1 connection								
	H	Hirschmann								
	E	1/2NPT(Explosion proof enclosure)								
ZJX-PA-PT-A3	0-200°C	D	C	O2	P1	D1	L2	T1	M	Model No.Example


**ZIJUXING**

HUNAN ZIJUXING TECHNOLOGY CO., LTD.

Tel: +86-731-85473669

Fax: +86-731-85473669

E-mail:postmaster@zjxsensor.com web:www.zjxsensor.com

 Address:No. 319, Linyu Road, High tech Development Zone,  
Changsha City, Hunan Province, China