

Vacuum Pressure Transmitter

Model: ZJX-PA-A1-L2



PRODUCT FEATURES AND APPLICATION FIELDS

Description:

The ZJX-PA-A1-L2 vacuum pressure transmitter is an intelligent and compact product, with high precision, high stability, and the ability to measure negative pressure.

Advantages:

- Digital temperature compensation technology
- Nonlinear correction technology
- Integrated structural design
- Lightweight volume
- Support OEM/ODM customization

Application:

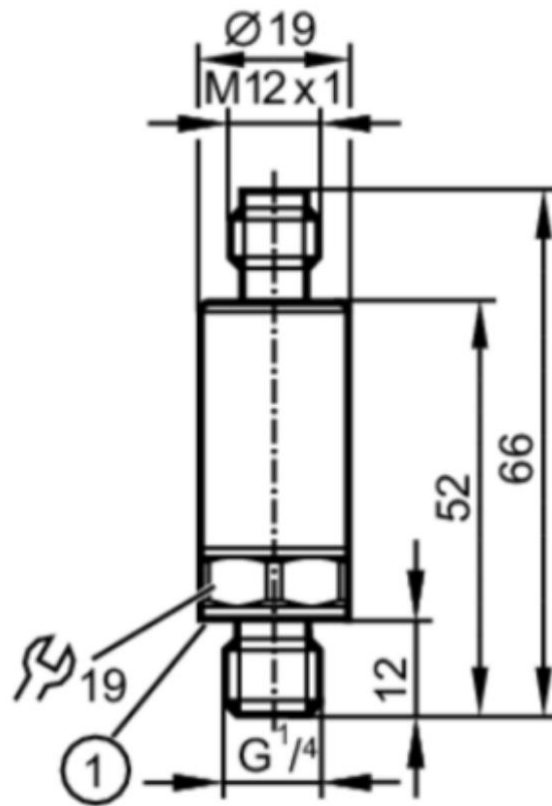
- New energy vehicles
- Hydro-mechanical
- Water treatment
- Construction machinery
- Medical treatment
- Agriculture

Features:


PRODUCT PARAMETERS


Measuring Range	-1~0~600bar
Pressure Mode	Absolute pressure, gauge pressure, negative pressure
Output/Communication	4-20mA,0-5V,0.5-4.5V,0-10V,RS485
Accuracy	0.25%F.S, 0.5%F.S
Power Supply	10~30V DC
Process Connector	G1/4,G3/8,G1/2,G3/4,G1 inch,1/4"NPT,1/2"NPT,R1 inch,Customizable
Electric Connection	DIN43650 Hirschmann Connector, IP65; M12 4 Pins connector, IP67; Direct lead, IP68;
Working Temp	-20~80°C, -20~180°C (High Temperature Type) ;
Overload Pressure	150%FS
Contact Medium Material	304 stainless steel, 316L stainless steel, PTFE, PVDF, Hastelloy alloy, Customizable
Response Time	≤10ms

OVERALL DIMENSIONS



PRODUCT CONNECTION MODE

Circular connector M12 x 1 (4-pin)

		2-wire	3-wire
	U _B	1	1
	0V	3	3
	S+	-	4

PRODUCT SELECTION TABLE

Code								
ZJX-PA-A1-L2	Vacuum Pressure Transmitter							
	Code	Pressure Mode						
	G	Gauge Pressure						
	A	Absolute Pressure						
		Code	Pressure Range					
		Fill In The Actual Demand	-1~0~600bar					
		Code	Output/Communication					
		O1	4-20mA					
		O2	0-10V					
		O3	0-5V					
		O4	RS485					
		O5	Customizable					
		Code	Process Connection					
		S1	G1/4					
		S2	G3/8					
		S3	G1/2					
		S4	G3/4					
		S5	G1 inch					
		S6	1/4"NPT					
		S7	1/2"NPT					
		S8	R1 inch					
		S9	Customizable					
		Code	Accuracy					
		C1	0.25%F.S					
		C2	0.5%F.S					
		C3	Customizable					
		Code	Shell Material					
		T1	304 stainless steel					
		T2	316L stainless steel					
		T3	PTFE					
		T4	PVDF					
		T5	Hastelloy C					
		T6	Customizable					
		Code	Electrical Connection/Waterproofing Level					
		H	DIN43650 Hirschmann Connector, IP65					
		M	M12 4 Pins Connector, IP67					
		L	Direct lead, IP68					
ZJX-PA-A1-L2	G	-1-10bar	O1	S3	C1	T1	M	Model No.Example


ZIJUXING

HUNAN ZIJUXING TECHNOLOGY CO., LTD.

Tel: +86-731-85473669

Fax: +86-731-85473669

E-mail: postmaster@zjxsensor.com web: www.zjxsensor.com

Address: No. 319, Linyu Road, High tech Development Zone, Changsha City, Hunan Province, China