

Shield Tunneling Machinery

Pressure Transmitter

Model: ZJX-PA-T1



PRODUCT FEATURES AND APPLICATION FIELDS

Description:

The ZJX-PA-T1 shield tunneling machine pressure transmitter adopts high-precision and high stability measuring elements as its internal structure, and the measuring end adopts a mechanical wear-resistant design structure. After multiple fatigue impact tests, temperature compensation, and a fully sealed structure, it has achieved the effects of corrosion resistance, impact resistance, and vibration resistance.

Features:

- Multiple pressure ranges available
- Multiple electrical connectors available
- Multiple output signals available
- High precision and strong anti-interference ability

Advantages:

- Anti clogging and impact resistant structural design
- Fully sealed electrical connection structure to prevent leakage
- The measuring end adopts anti-corrosion structure design
- Multiple fatigue aging tests to ensure product stability and repeatability
- Support OEM/ODM customization

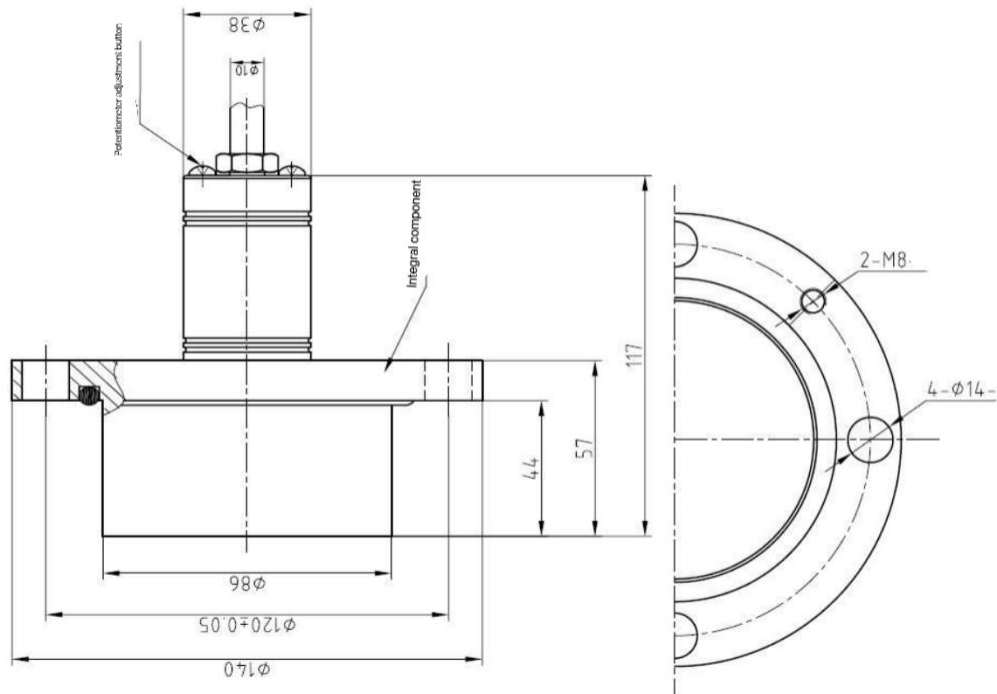
Application:

- Tunnel and urban construction
- Shield
- Push bench
- Construction machinery
- Building materials
- Brick making machinery
- Civil engineering


PRODUCT PARAMETERS

Measuring Range	0~250bar
Output	4-20mA,0-10V,0-5V,0.5-4.5V,1mV
Accuracy	±0.5%F.S,±0.25%F.S
Power Supply	12~36VDC
Protect Grade	IP65,IP67
Diaphragm Material	316L
Load Pressure	150%F.S
Response Time	≤1 (10%~90%)ms
Medium Temperature	-25~85℃
Compensation Temperature	-10~80℃
Electrical Connector	Direct cable,5PIN, 4PIN connector
Process Connector	Flange mount(Customizable)

OVERALL DIMENSIONS



PRODUCT CONNECTION MODE

Cable outlet, 2 m		2-wire	3-wire
	U _B	brown	brown
	0V	green	green
	S+	-	white

PRODUCT SELECTION TABLE

Code						
ZJX-PA-T1	Shield Tunneling Machinery Pressure Transmitter					
	Code	Measuring Range				
	Fill In The Actual Demand	0~250bar				
	Code	Process Connector				
	Fill In The Actual Demand	Flange Mount(Customizable)				
		Code	Output			
		O1	4-20mA			
		O2	0-10V			
		O3	0-5V			
		O4	0.5-4.5V			
		O5	1mV			
		Code	Accuracy			
		C1	0.25%F.S			
		C2	0.5%F.S			
		Code	Protect Grade			
		L1	IP65			
		L2	IP67			
			Code	Electrical Connector		
			D	Direct cable		
			M	4PIN connector		
			L	5PIN connector		
ZJX-PA-T1	0-10bar-DN50	O1	C2	L2	D	Model No.Example


ZIJUXING

HUNAN ZIJUXING TECHNOLOGY CO., LTD.

Tel: +86-731-85473669

Fax: +86-731-85473669

E-mail:postmaster@zjxsensor.com web:www.zjxsensor.com

 Address:No. 319, Linyu Road, High tech Development Zone,
Changsha City, Hunan Province, China