

Sanitary Digital Display Diaphragm Pressure Transmitter

Model: ZJX-PA-A2-S8-N1N2



PRODUCT FEATURES AND APPLICATION FIELDS

Description:

The ZJX-PA-A2-S8-N1N2 sanitary high-temperature digital pressure transmitter is equipped with isolation and sealing functions, and has multiple requirements for sanitary applications, as well as high-temperature measurement and visual display.

Features:

Suitable for SIP and CIP

Easy to disassemble and clean quickly

Suitable for various gases, liquids, viscous, powdery, and easily crystalline media

Advantages:

All stainless steel material effectively isolates the medium

Fully welded structure with good sealing performance

High definition digital display

Support OEM/ODM customization

Application:

Food and Beverage

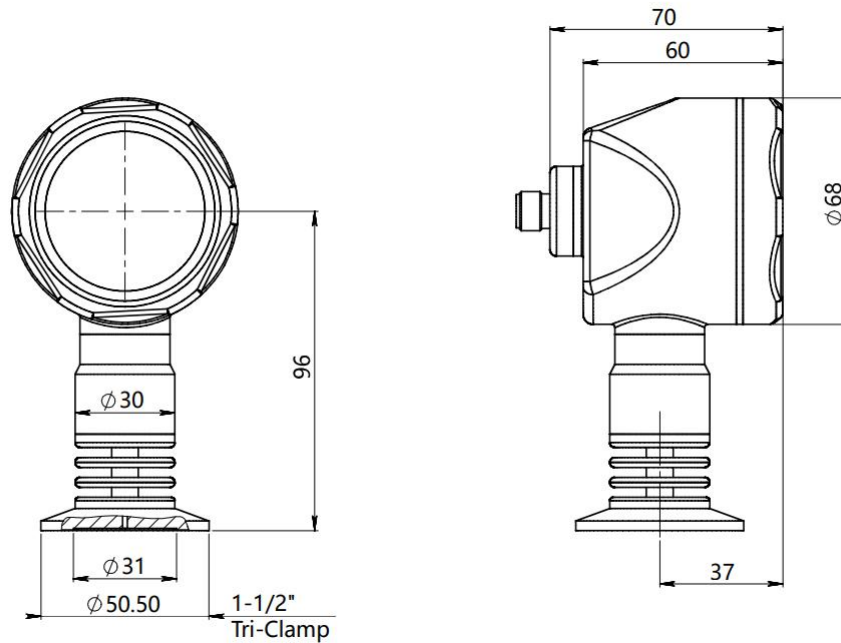
Tank bodies and pipelines in the process industry

Environmental pharmaceutical

PRODUCT PARAMETERS


Measuring Range	-1~0~100bar
Pressure Mode	Absolute pressure, gauge pressure, negative pressure
Output/Communication	4-20mA,0-5V,0.5-4.5V,0-10V,RS485
Accuracy	0.25%F.S, 0.5%F.S
Power Supply	10~30V DC
Process Connector	G1/4,G3/8,G1/2,G3/4,G1 inch,1/4"NPT,1/2"NPT,R1 inch,1.5 ",Customizable
Electric Connection	DIN43650 Hirschmann Connector, IP65; M12 4 Pins connector, IP67; Direct lead, IP68;
Working Temp	-20~80°C, -20~180°C (High Temperature Type) ;
Overload Pressure	150%FS
Contact Medium Material	304 stainless steel, 316L stainless steel, PTFE, PVDF, Hastelloy alloy, Customizable
Response Time	≤10ms

OVERALL DIMENSIONS



PRODUCT CONNECTION MODE

Circular connector M12 x 1 (4-pin)

		2-wire	3-wire
	U_B	1	1
	0V	3	3
	S+	-	4

PRODUCT SELECTION TABLE

Code	Flat Embedded Diaphragm Pressure Transmitter							
ZJX-PA-A2-S8 N1N2	Code	Pressure Mode						
	G	Gauge Pressure						
	A	Absolute Pressure						
	Code	Pressure Range						
	Fill In The Actual Demand	-1~0~100bar						
	Code	Output/Communication						
	O1	4-20mA						
	O2	0-10V						
	O3	0-5V						
	O4	RS485						
	O5	Customizable						
	Code	Process Connection						
	S1	G1/4						
	S2	G3/8						
	S3	G1/2						
	S4	G3/4						
	S5	G1 inch						
	S6	1/4"NPT						
	S7	1/2"NPT						
	S8	1.5"						
	S9	Customizable						
	Code	Accuracy						
	C1	0.25%F.S						
	C2	0.5%F.S						
	C3	Customizable						
	Code	Shell Material						
	T1	304 stainless steel						
	T2	316 stainless steel						
	T3	PTFE						
	T4	PVDF						
	T5	Hastelloy alloy						
	T6	Customizable						
	Code	Electrical Connection/Waterproofing Level						
	H	DIN43650 Hirschmann Connector, IP65						
	M	M12 4 Pins Connector, IP67						
	L	Direct lead, IP68						
ZJX-PA-A2-S8 N1N2	G	0-16bar	O1	S8	C1	T2	M	Model No.Example


ZIJUXING

HUNAN ZIJUXING TECHNOLOGY CO., LTD.

Tel: +86-731-85473669

Fax: +86-731-85473669

E-mail: postmaster@zjxsensor.com web: www.zjxsensor.com

 Address: No. 319, Linyu Road, High tech Development Zone,
Changsha City, Hunan Province, China