

High Temperature Melt Pressure Transmitter Model: ZJX-PA-TM



PRODUCT FEATURES AND APPLICATION FIELDS

Description:

The ZJX-PA-TM high temperature melt pressure transmitter, uses a special material elastic diaphragm to measure and control pressure during the extrusion process for high-temperature fluid media up to 350 ° C. Additionally, external temperature sensing components such as E, J, and K models can be selected.

Features:

Widely measurement ranges

Set 80% calibration

Multiple output signals to choose from

Pressure/temperature parameters can be measured simultaneously

High precision, good stability, and strong anti-interference ability

Advantages:

Special material diaphragm can withstand high temperatures of 350 ° C

The measuring end adopts a fully welded sealing structure

Pressure measurement data is less affected by temperature drift interference

Support OEM/ODM customization

Application:

Pressure measurement of high-temperature fluids

Plastic/rubber/chemical fiber equipment

Food/Packaging Machinery

Medicine

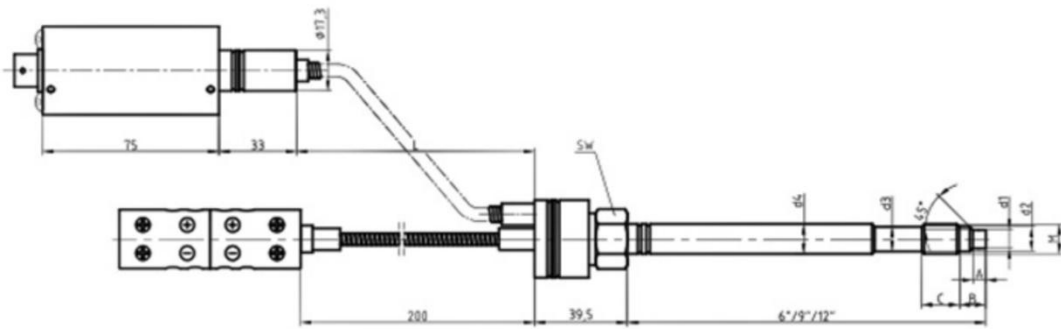
Chemical industry

Petroleum

PRODUCT PARAMETERS

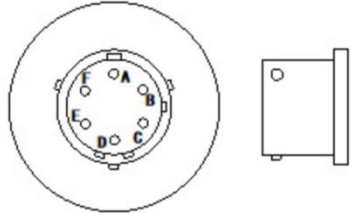
Pressure Range	0-3.5MPa...0-200MPa (0-500psi...28000psi) (0-35bar...2000bar)
Overload Capacity	1.5 times rated pressure
Combined Error	± 0.5% FSO (Including Linearity, Repeatability & Hysteresis)
Output Signal	3.33mV/V, 4~20mA,0~5V,0~10V
Power Supply	10VDC (3.33mV/V) 24VDC(4~20mA,0~5V,0~10V)
Repeatability	±0.2%FSO
Bridge Resistance Input	345 Ohms minimum
Bridge Resistance Output	350 Ohms +/- 10%
Internal Shunt Calibration (R-Cal)	80% FSO +/- 1%
Insulation Resistance	200 megohms @ 100 Vdc
Max Diaphragm Temperature	350 °C
Mounting Torque	500 inch/lbs. max.
Standard Wetted Parts	Diaphragm coated 15-5 PH SST
Electrical Connector	6PIN connector
Process Connector	1/2"-20UNF, M14×1.5, M18×1.5 Optional
Temp Measuring Components	E,J,K type or Pt100

OVERALL DIMENSIONS



PRODUCT CONNECTION MODE

Output	Function	Color	6PIN
0-5V;0-10V;	Signal +	Blue	A
	Signal -	Green	B
	Excitation +	Red	C
	Excitation -	Yellow	D
	Calibration	Brown	E
	Calibration	Black	F
Output	Function	Color	6PIN
4-20mA	E+ / S+	Red	A
	E- / S-	Blue	B
	Calibration	Yellow	E
	Calibration	Black	F



PRODUCT SELECTION TABLE

ZJX-PA-TM	High Temperature Melt Pressure Transmitter						
	Code	Pressure Range					
	Fill In The Actual Demand	0-3.5MPa...0-200MPa (0-500psi...28000psi) (0-35bar...2000bar)					
		Code	Output Signal				
		O1	4-20mA				
		O2	0-10V				
		O3	0-5V				
		O4	3.33mV/V				
		Code	Process Connection				
		S1	1/2"-20UNF				
		S2	M14×1.5				
		S3	M18×1.5				
		S4	Customizable				
		Code	Rigid Stem				
		P1	6inches(152mm)				
		P2	9inches(229mm)				
		P3	12inches(318mm)				
		P4	15inches(381mm)				
		P5	18inches(460mm)				
		Code	Flexible Stem				
		H1	18inches(460mm)				
		H2	30inches(760mm)				
		Code	Temperature Measurement				
		T1	E TYPE				
		T2	J TYPE				
		T3	K TYPE				
		T4	PT100				
ZJX-PA-TM	0-500bar	O1	S3	P1	H1	T2	Model No.Example


ZIJUXING

HUNAN ZIJUXING TECHNOLOGY CO., LTD.

Tel: +86-731-85473669

Fax: +86-731-85473669

E-mail: postmaster@zjxsensor.com web: www.zjxsensor.com

 Address: No. 319, Linyu Road, High tech Development Zone,
 Changsha City, Hunan Province, China