

High Pressure Flush Membrane Pressure Transmitter

Model: ZJX-PA-S2



PRODUCT FEATURES AND APPLICATION FIELDS

Description:

The measuring end of the ZJX-PA-S2 high pressure flush membrane pressure transmitter adopts a specially treated, sturdy and wear-resistant flush membrane, so that the measured medium will not damage the membrane.

Features:

- Multiple electrical interfaces available
- Wide range temperature compensation
- Multiple signal outputs

Advantages:

- Prevent blockage of viscous medium particles and fluids
- Convenient and compact installation site
- Anti impact, anti vibration
- Support OEM/ODM customization

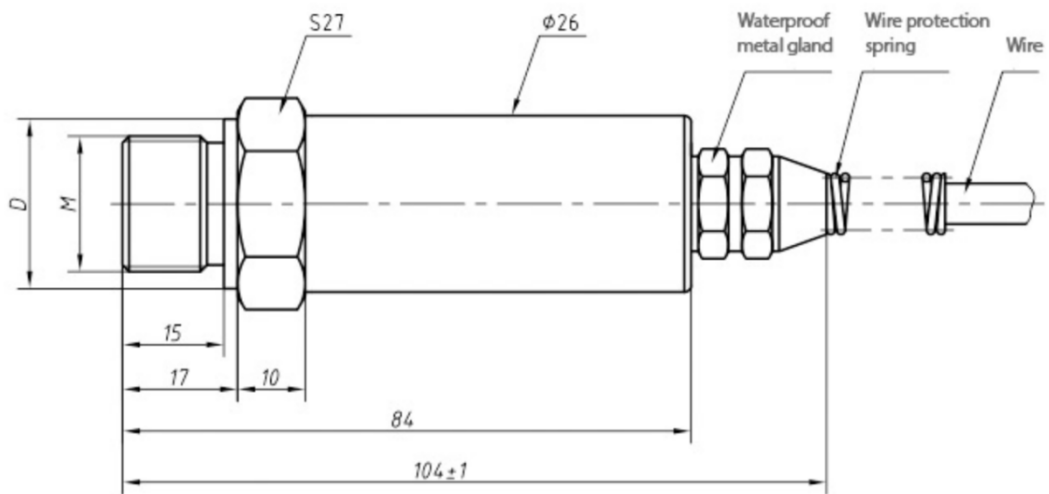
Application:

- New energy equipment
- Semiconductor equipment
- Glue and paint detection system
- Civil engineering
- Food, Pharmaceutical
- Coal mine
- Papermaking
- Petroleum

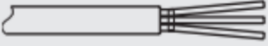
PRODUCT PARAMETERS

Measuring Range	0~1000bar
Output/Communication	4-20mA,0-5V,0.5-4.5V,0-10V,RS485
Accuracy	0.25%F.S, 0.5%F.S
Power Supply	DC 10~30V
Process Connector	G3/8,G1/2,G3/4,G1 inch,1/2"NPT,R1 inch,Customizable
Electric Connection	DIN43650 Hirschmann Connector, IP65; M12 4 Pins connector, IP67; Direct lead, IP68;
Working Temp	-20~80°C
Overload Pressure	150%FS
Contact Medium Material	304 stainless steel, 316L stainless steel, Hastelloy alloy, Customizable
Response Time	≤10ms

OVERALL DIMENSIONS



PRODUCT CONNECTION MODE

Cable outlet, 2 m			
		2-wire	3-wire
	U _B	brown	brown
	0V	green	green
	S+	-	white

PRODUCT SELECTION TABLE

Code								
ZJX-PA-S2	High Pressure Flush Membrane Pressure Transmitter							
Code	Pressure Mode							
G	Gauge Pressure							
A	Absolute Pressure							
	Code	Pressure Range						
	Fill In The Actual Demand	0~1000bar						
	Code	Output/Communication						
	O1	4-20mA						
	O2	0-10V						
	O3	0-5V						
	O4	RS485						
	O5	Customizable						
	Code	Process Connection						
	S1	G1/2						
	S2	G3/4						
	S3	G1 inch						
	S4	1/2"NPT						
	S5	R1 inch						
	S6	Customizable						
	Code	Accuracy						
	C1	0.25%F.S						
	C2	0.5%F.S						
	C3	Customizable						
	Code	Shell Material						
	T1	304 stainless steel						
	T2	316 stainless steel						
	T3	Hastelloy alloy						
	T4	Customizable						
	Code	Electrical Connection/Waterproofing Level						
	H	DIN43650 Hirschmann Connector, IP65						
	M	M12 4 Pins Connector, IP67						
	L	Locking the outgoing line, IP68						
ZJX-PA-S2	G	0-400bar	O1	S3	C2	T1	H	Model No.Example


ZIJUXING

HUNAN ZIJUXING TECHNOLOGY CO., LTD.

Tel: +86-731-85473669

Fax: +86-731-85473669

E-mail: postmaster@zjxsensor.com web: www.zjxsensor.com

Address: No. 319, Linyu Road, High tech Development Zone, Changsha City, Hunan Province, China