

Explosion Proof High-Temperature Diaphragm Pressure Transmitter

Model: ZJX-PA-EX-A2-N1



PRODUCT FEATURES AND APPLICATION FIELDS

Description:

The ZJX-PA-EX-A2-N1 explosion-proof high-temperature diaphragm pressure transmitter adopts single crystal silicon technology, which not only improves accuracy and stability, but also has multiple functions such as high-temperature resistance and diaphragm. It has also passed the Ex ia IIC T6 Ga/Ex db IIC T6 Gb certification.

Features:

Multiple pressure measurement ranges available for selection
Multiple mechanical installation methods available for selection
Accurate/stable/anti-interference/lightning protection for measuring pressure

Advantages:

Multiple transmission methods available for selection
High precision and stability of monocrystalline silicon technology
Explosion proof safety level Ex ia IIC T6 Ga/Ex db IIC T6 Gb
Multiple technical requirements for explosion-proof, digital display, high temperature, and diaphragm selection
Support OEM/ODM customization

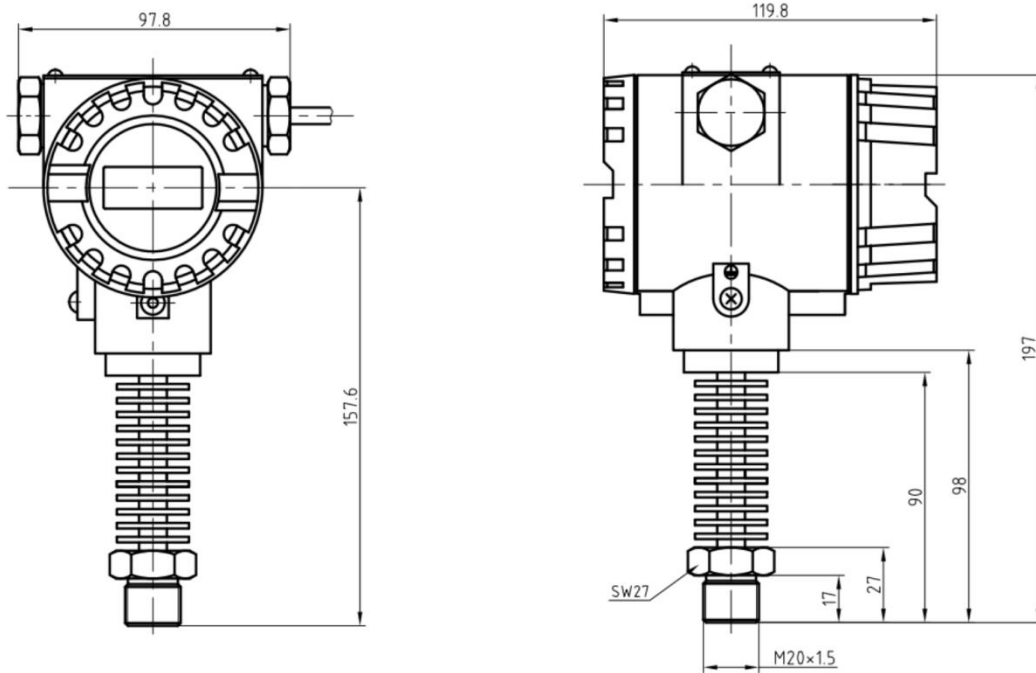
Application:

Hazardous explosion-proof areas
Oil and Natural Gas
Environmentally friendly water treatment
Ship and Ocean Engineering
Metallurgical and chemical engineering
Biopharmaceuticals
Food and Beverage
HVAC Medical

PRODUCT PARAMETERS

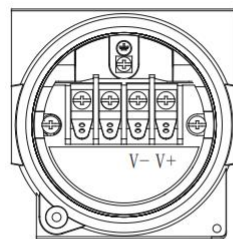
Measuring Range	-1~0~400bar
Pressure Mode	Absolute pressure, gauge pressure, negative pressure
Output/Communication	4-20mA,4-20mA+Hart,RS485
Accuracy	0.25%F.S, 0.5%F.S
Power Supply	DC 10~30V
Process Connector	G1/4,G3/8,G1/2,G3/4,G1 inch,1/4"NPT,1/2"NPT,R1 inch,1.5 ",Customizable
Electric Connection	M20*1.5(F),1/2"NPT(M),Customizable
Working Temp	-20~80°C, -20~180°C (High Temperature Type) ;
Overload Pressure	150%FS
Contact Medium Material	304 stainless steel, 316L stainless steel, PTFE, PVDF, Hastelloy alloy, Customizable
Response Time	≤10ms

OVERALL DIMENSIONS



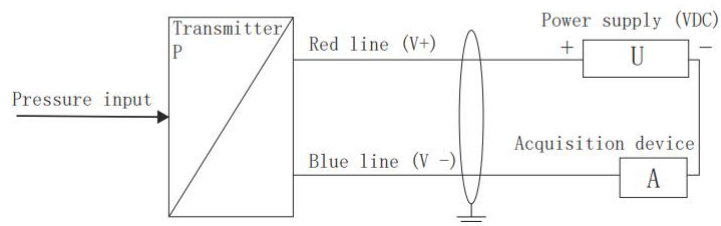
PRODUCT CONNECTION MODE

Current output wiring diagram (two-wire system)



V+: power supply positive

V -: power supply negative



PRODUCT SELECTION TABLE

Code								
ZJX-PA-EX-A2-N1	Explosion Proof High-Temperature Diaphragm Pressure Transmitter							
	Code Pressure Mode							
	G	Gauge Pressure						
	A	Absolute Pressure						
		Code	Pressure Range					
		Fill In The Actual Demand	-1~0~400bar					
		Code	Output/Communication					
		O1	4-20mA					
		O2	4-20M+Hart					
		O3	RS485					
		O4	Customizable					
		Code	Process Connection					
		S1	G1/4					
		S2	G3/8					
		S3	G1/2					
		S4	1/4"NPT					
		S5	1/2"NPT					
		S6	Customizable					
		Code	Accuracy					
		C1	0.25%F.S					
		C2	0.5%F.S					
		C3	Customizable					
		Code	Shell Material					
		T1	304 stainless steel					
		T2	316 stainless steel					
		T3	17-4 Stainless Steel					
		T4	Hastelloy alloy					
		T5	Customizable					
		Code	Electrical Connection					
		L1	M20*1.5(F)					
		L2	1/2"NPT (M)					
		L3	Customizable					
ZJX-PA-EX-A2-N1	G	0-40bar	O2	S1	C2	T2	L1	Model No.Example


ZIJUXING

HUNAN ZIJUXING TECHNOLOGY CO., LTD.

Tel: +86-731-85473669

Fax: +86-731-85473669

E-mail: postmaster@zjxsensor.com web: www.zjxsensor.com

 Address: No. 319, Linyu Road, High tech Development Zone,
 Changsha City, Hunan Province, China