

Explosion Proof High-Precision Differential Pressure Transmitter Model: ZJX-PA-DP-3



PRODUCT FEATURES AND APPLICATION FIELDS

Description:

The ZJX-PA-DP-3 explosion proof high-precision differential pressure transmitter adopts a single crystal silicon sensor chip and a double beam suspension design, achieving high accuracy, high overvoltage, and high stability performance. It is embedded with an intelligent signal processing module, achieving an effective combination of static pressure and temperature compensation.

Features:

Configure the HART communication protocol for FSK technology

The HART communication protocol can communicate with the control system or manual operator

Accuracy: $\pm 0.075\%$, adjustable range greater than 10:1

Fast response speed, small error, and strong anti-interference performance

Isolation diaphragm structure, various anti-corrosion materials available for selection

Advantages:

Can simultaneously measure the pressure, liquid level, or density of liquids, gases, and vapors

Adopting full fusion welding and rigid sealing structure

Local zero and full point calibration functions, as well as built-in positive and negative transfer function

Adopting a concave arc overload protection structure

Integrate high sensitivity components to effectively solve thermal drift

Support OEM/ODM customization

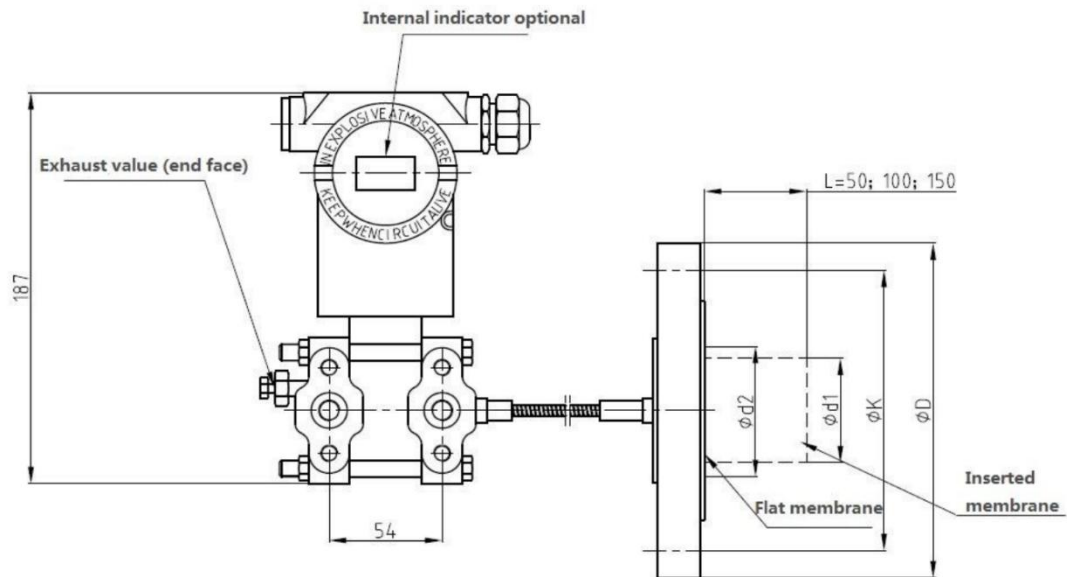
Application:

Hazardous explosion-proof areas
Oil and gas
Environmental/Pharmaceutical
Chemical/Paper Industry
sewage disposa/HVAC
Printing and dyeing/electricity
Steel/Building Materials
Plastic/chemical fiber

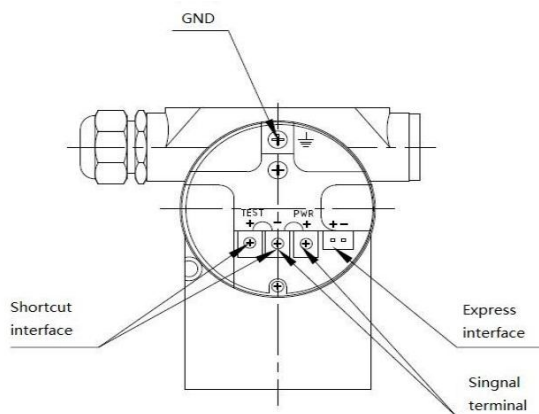
PRODUCT PARAMETERS

Measurement Medium	Gas, Steam, Liquid
Measurement Range (Non migration)	0-0.6KPa-20Mpa
Accuracy	+/-0.075%, +/-0.1%
Wetted Parts Material	SS316L, Hastelloy C, Tantalum, Titanium
Output/Communication	2-wire 4-20mA, HART communication optional, linear output or square root output available
Ambient Temperature Limited	-40~85℃ -20~65℃ (with LCD display, fluorine rubber O-ring)
Protection Grade	IP67
Electrical Connector	M20*1.5 cable sealing buckle, terminal suitable for 0.5-2.5mm ² cable
Process Connector	Flange mount

OVERALL DIMENSIONS



PRODUCT CONNECTION MODE



PIN	2-wire	3-wire
PWR+	P+	P+
PWR-	P-	P-
TEST+		S-

PRODUCT SELECTION TABLE

Code												
ZJX-PA-DP-3	Explosion Proof High-Precision Differential Pressure Transmitter											
	Code	Type										
	F1	Intelligent Flat Diaphragm Flange Liquid Level Transmitter										
	F2	Intelligent Cylinder Flange Liquid Level Transmitter										
		Code	Mounting Dimensions									
		S1	DN50									
		S2	DN80									
		S3	DN100									
		S4	2"									
		S5	3"									
		S6	4"									
		Code	Range (KPa)									
		R1	1-6									
		R2	6-40									
		R3	40-400									
		R4	400-4000									
		Code	Output/Communication									
		O1	4-20mA									
		O2	4-20mA+Hart									
		Code	Digital Display									
		D1	LCD									
		D2	OLED (Low temperature resistance '-40°)									
		Code	Structur Material									
		Code	Flange	Code	Diaphragm	Code	Coating					
		04	304SS	D1	316LSS	C0	None					
		16	316SS	D2	Hastelloy C	C1	PTFE					
				D3	Monel alloy							
				D4	Tantalum							
				D5	Titanium							
		Code	Cylinder Length (mm)									
		L0	0(Flat flange)									
		L1	50									
		L2	100									
		L3	150									
		L4	Customized									
		Code	Capillary Length (m)									
		C0	None									
		C1	1M									
		C2	2M									
		C3	3M									
		C4	Customized									
		Code	Mounting Bracket									
		B0	Without mounting bracket									
		B1	Pipe bending bracket									
		B2	Plate mounted bending bracket									
		B3	Pipe mounted flat bracket									
		Code	Hazardous Location Certification									
		H0	No explosion-proof									
		H1	Ex db IIC T6 Gb									
		H2	Ex ia IIC T6 Ga									
		Code	Electrical Connections									
		L	M20X1.5									
		C	Customizable									
ZJX-PA-DP-3	F1	S1	R3	O1	D1	04D1C0	L3	C0	B0	H2	L	Model No.Example


ZIJUXING

HUNAN ZIJUXING TECHNOLOGY CO., LTD.

Tel: +86-731-85473669

Fax: +86-731-85473669

E-mail:postmaster@zjxsensor.com web:www.zjxsensor.com

 Address:No. 319, Linyu Road, High tech Development Zone,
Changsha City, Hunan Province, China