

Explosion Proof High-Precision Differential Pressure Transmitter Model: ZJX-PA-DP-1



PRODUCT FEATURES AND APPLICATION FIELDS

Description:

The ZJX-PA-DP-1 Explosion proof high-precision differential pressure transmitter adopts a single crystal silicon sensor chip and a double beam suspension design, achieving high accuracy, high overvoltage, and high stability performance. It is embedded with an intelligent signal processing module, achieving an effective combination of static pressure and temperature compensation.

Advantages:

Can simultaneously measure the pressure, liquid level, or density of liquids, gases, and vapors

Adopting full fusion welding and rigid sealing structure

Local zero and full point calibration functions, as well as built-in positive and negative transfer function

Adopting a concave arc overload protection structure

Integrate high sensitivity components to effectively solve thermal drift

Support OEM/ODM customization

Application:

Hazardous explosion-proof areas

Oil and gas

Environmental/Pharmaceutical

Chemical/Paper Industry

Sewage disposal/HVAC

Printing and dyeing/electricity

Steel/Building Materials

Plastic/chemical fiber

Features:

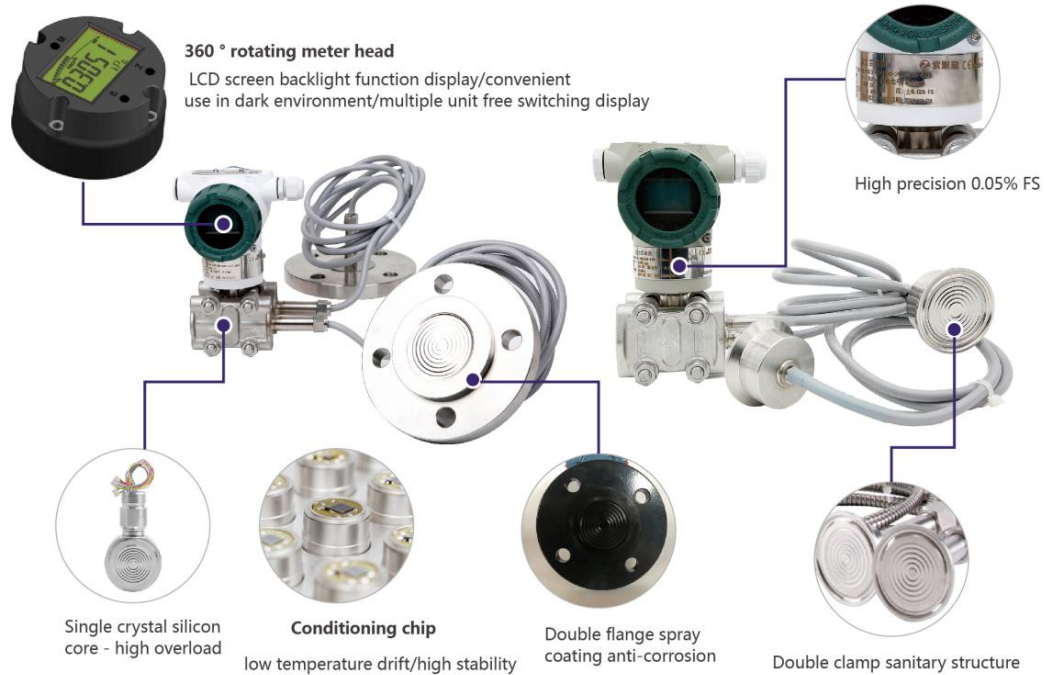
Configure the HART communication protocol for FSK technology

The HART communication protocol can communicate with the control system or manual operator

Accuracy: $\pm 0.075\%$, adjustable range greater than 10:1

Fast response speed, small error, and strong anti-interference performance

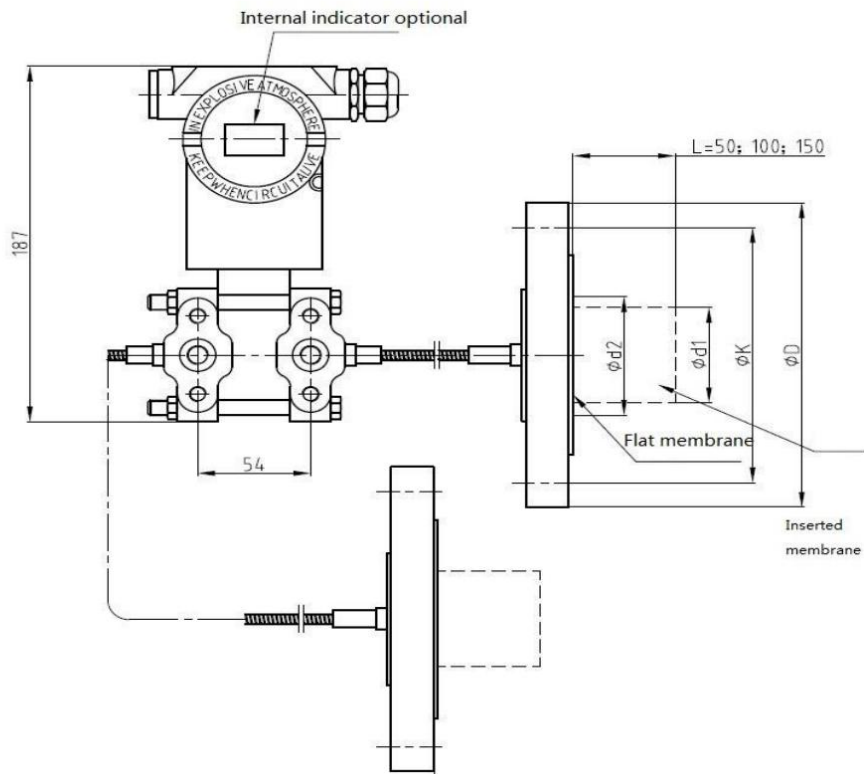
Isolation diaphragm structure, various anti-corrosion materials available for selection



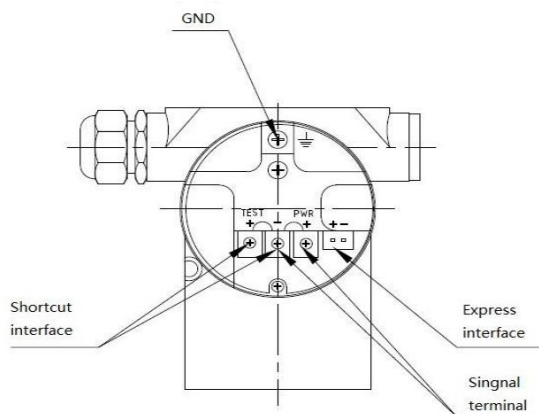
PRODUCT PARAMETERS

Measurement Method	Differential Pressure, Liquid Height
Measurement Range (Non migration)	0~1KPa~2MPa
Accuracy	+/-0.1%
Wetted Parts Material	SS316L, Hastelloy C, Tantalum, Titanium
Output/Communication	2-wire 4-20mA, HART communication optional, linear output or square root output available
Ambient Temperature Limited	Lowest: depending on the filled liquid Highest: 85℃ -20~65℃ (with LCD display, fluorine rubber O-ring)
Temperature Limited	-30~400℃
Protection Grade	IP67
Electrical Connector	M20*1.5 cable sealing buckle, terminal suitable for 0.5-2.5mm ² cable
Process Connector	7/16 female at the low pressure, compatible with ANSI or DIN at high pressure. Directly install.

OVERALL DIMENSIONS



PRODUCT CONNECTION MODE



PIN	2-wire	3-wire
PWR+	P+	P+
PWR-	P-	P-
TEST+		S-

PRODUCT SELECTION TABLE

Code												
ZJX-PA-DP-1	Explosion Proof High-Precision Differential Pressure Transmitter											
	Code	Remote Transmission device										
	T1	Single flat flange type										
	T2	Double flat flange type										
	T3	Single cylinder flange type										
	T4	Double- cylinder flange type										
	T5	One flat one cylinder flange type										
		Code	Mounting Dimensions									
		S1	DN50									
		S2	DN80									
		S3	DN100									
		S4	2"									
		S5	3"									
		S6	4"									
		S7	Customized									
		Code	Range (KPa)									
		R1	1-6									
		R2	6-40									
		R3	40-250									
		R4	250-4000									
		Code	Output/Communication									
		O1	4-20mA									
		O2	4-20mA+Hart									
		Code	Digital Display									
		D1	LCD									
		D2	OLED (Low temperature resistance '-40°)									
		Code	Structur material									
			Flange	Code	Diaphragm	Code	Coating					
		04	304SS	D1	316LSS	C0	None					
		16	316SS	D2	Hastelloy C	C1	PTFE					
				D3	Monel alloy							
				D4	Tantalum							
				D5	Titanium							
				D6	PTFE spray							
		Code	Cylinder Length (mm)									
		LO	0(Flat flange)									
		L1	50									
		L2	100									
		L3	150									
		L4	Customized									
		Code	Capillary Length (m)									
		C0	None									
		C1	1M									
		C2	2M									
		C3	3M									
		C4	Customized									
		Code	Mounting Bracket									
		B0	Without mounting bracket									
		B1	Pipe bending bracket									
		B2	Plate mounted bending bracket									
		B3	Pipe mounted flat bracket									
		Code	Hazardous Location Certification									
		H0	No explosion-proof									
		H1	Ex db IIC T6 Gb									
		H2	Ex ia IIC T6 Ga									
		Code	Electrical Connections									
		L	M20X1.5									
		C	Customizable									
ZJX-PA-DP-1	T2	S1	R2	O1	D1	16D1C0	L2	C1	B0	H2	L	Model No.Example


ZIJUXING

HUNAN ZIJUXING TECHNOLOGY CO., LTD.

Tel: +86-731-85473669

Fax: +86-731-85473669

E-mail: postmaster@zjxsensor.com web: www.zjxsensor.com

Address: No. 319, Linyu Road, High tech Development Zone, Changsha City, Hunan Province, China