

# Explosion Proof Differential Pressure Transmitter Model: ZJX-PA-DP



## PRODUCT FEATURES AND APPLICATION FIELDS

### Description:

The ZJX-PA-DP Explosion proof high-precision differential pressure transmitter adopts a single crystal silicon sensor chip and a double beam suspension design, achieving high accuracy, high overvoltage, and high stability performance. It is embedded with an intelligent signal processing module, achieving an effective combination of static pressure and temperature compensation.

### Features:

Configure the HART communication protocol for FSK technology

The HART communication protocol can communicate with the control system or manual operator

Accuracy:  $\pm 0.075\%$ , adjustable range greater than 10:1

Fast response speed, small error, and strong anti-interference performance

### Advantages:

Can simultaneously measure the pressure, liquid level, or density of liquids, gases, and vapors

Adopting full fusion welding and rigid sealing structure

Local zero and full point calibration functions, as well as built-in positive and negative transfer function

Adopting a concave arc overload protection structure

Integrate high sensitivity components to effectively solve thermal drift

Support OEM/ODM customization

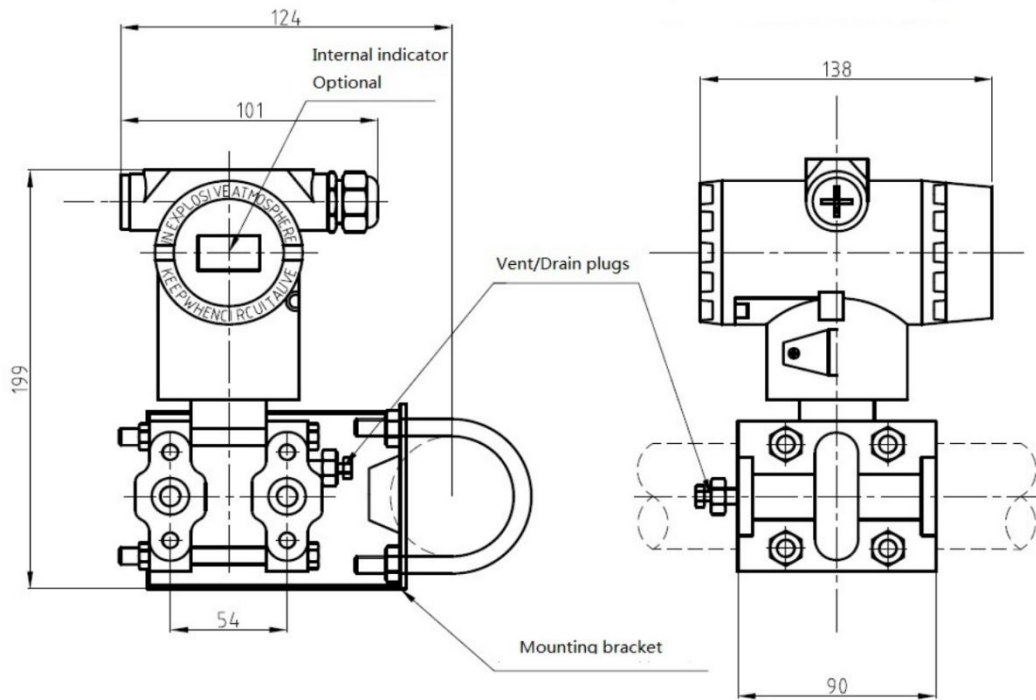
**Application:**

Hazardous explosion-proof areas  
 Oil and gas  
 Environmental/Pharmaceutical  
 Chemical/Paper Industry  
 sewage disposa/HVAC  
 Printing and dyeing/electricity  
 Steel/Building Materials  
 Plastic/chemical fiber

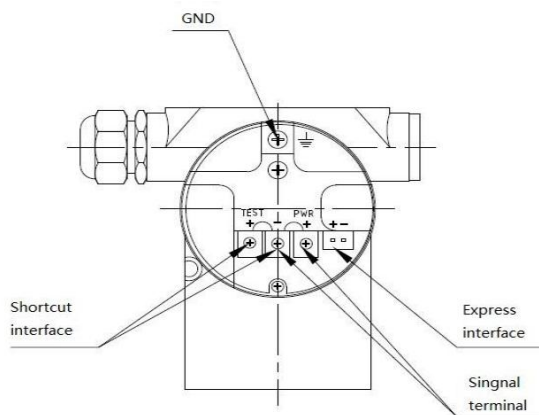
## PRODUCT PARAMETERS

Measurement Medium	Gas, Steam, Liquid
Measurement Range (Non migration)	-150pa-150pa, -5KPa-5KPa, -0.1MPa-20MPa
Accuracy	+/-0.1%, +/-0.075% optional
Wetted Parts Material	SS316L, Hastelloy C, Tantalum, Titanium
Output/Communication	2-wire 4-20mA, HART communication optional, linear output or square root output available
Ambient Temperature Limited	-40~85°C -20~65°C (with LCD display, fluorine rubber O-ring)
Protection Grade	IP67
Electrical Connector	M20*1.5
Process Connector	1/4NPT female and 7/16 female on the cover flanges

## OVERALL DIMENSIONS



## PRODUCT CONNECTION MODE



PIN	2-wire	3-wire
PWR+	P+	P+
PWR-	P-	P-
TEST+		S-

# PRODUCT SELECTION TABLE

Code										
ZJX-PA-DP	Explosion Proof high-Precision Differential Pressure Transmitter									
Code	Induced Pressure Method									
S1	NPT1/4 connector+ Φ 14 pressure pipe									
S2	NPT1/2 internal thread									
S3	External threaded joint M20X1.5									
S4	Three-valve manifold									
Code	Range (KPa)									
R1	0.1-1									
R2	1-6									
R3	6-40									
R4	40-400									
R5	400-4000									
Code	Output/Communication									
O1	4-20mA									
O2	4-20mA+Hart									
O3	Square root 4-20mA									
Code	Digital Display									
D1	LCD									
D2	OLED (Low temperature resistance '-40°)									
Code	Material Quality									
	Flange	Drain/exhaust	Diaphragm							
M1	304SS	304SS	316SS							
M2	316SS	316SS	316SS							
M3	316SS	316SS	Hastelloy C							
M4	316SS	316SS	Monel alloy							
M5	316SS	316SS	Tantalum							
M6	Hastelloy C	Hastelloy C	Hastelloy C							
M7	Hastelloy C	Hastelloy C	Tantalum							
M8	Monel alloy	Monel alloy	Monel alloy							
Code	Relief Valve									
V	Vent valve									
D	Drain valve									
Code	Mounting Bracket									
B0	Without mounting bracket									
B1	Pipe bending bracket									
B2	Plate mounted bending bracket									
B3	Pipe mounted flat bracket									
Code	Hazardous Location Certification									
H0	No explosion-proof									
H1	Ex db IIC T6 Gb									
H2	Ex ia IIC T6 Ga									
Code	Electrical Connections									
L	M20X1.5									
C	Customizable									
ZJX-PA-DP	S1	R3	O2	D1	M2	V	B1	H0	L	Model No.Example


**ZIJUXING**

HUNAN ZIJUXING TECHNOLOGY CO., LTD.

Tel: +86-731-85473669

Fax: +86-731-85473669

E-mail: postmaster@zjxsensor.com web: www.zjxsensor.com

Address: No. 319, Linyu Road, High tech Development Zone,  
Changsha City, Hunan Province, China