

Explosion-Proof Diaphragm Pressure Transmitter Model: ZJX-PA-EX-A2



PRODUCT FEATURES AND APPLICATION FIELDS

Description:

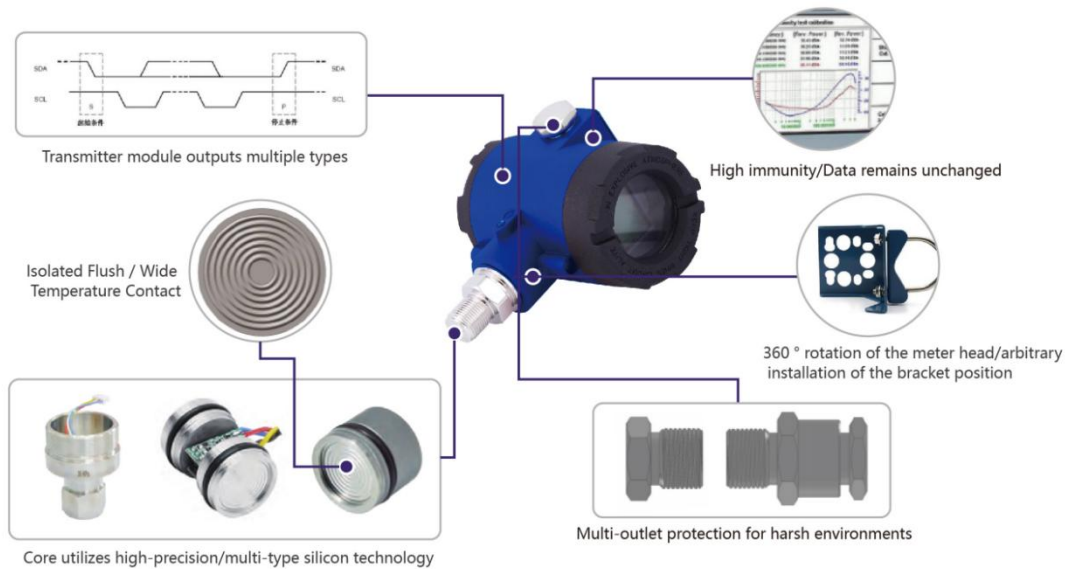
The ZJX-PA-EX-A2 explosion-proof digital pressure transmitter, adopts single crystal silicon technology, which improves accuracy and has the ability to handle complex chemical and mechanical loads, It has also passed Ex ia IIC T6 Ga/Ex db IIC T6 Gb certification.

Advantages:

- Multiple signal outputs available for selection
- High precision and stability of monocrystalline silicon technology
- Explosion proof safety level Ex ia IIC T6 Ga/Ex db IIC T6 Gb
- Very good anti-interference ability
- Prevent blockage of viscous medium particles and fluids
- Support OEM/ODM customization

Application:

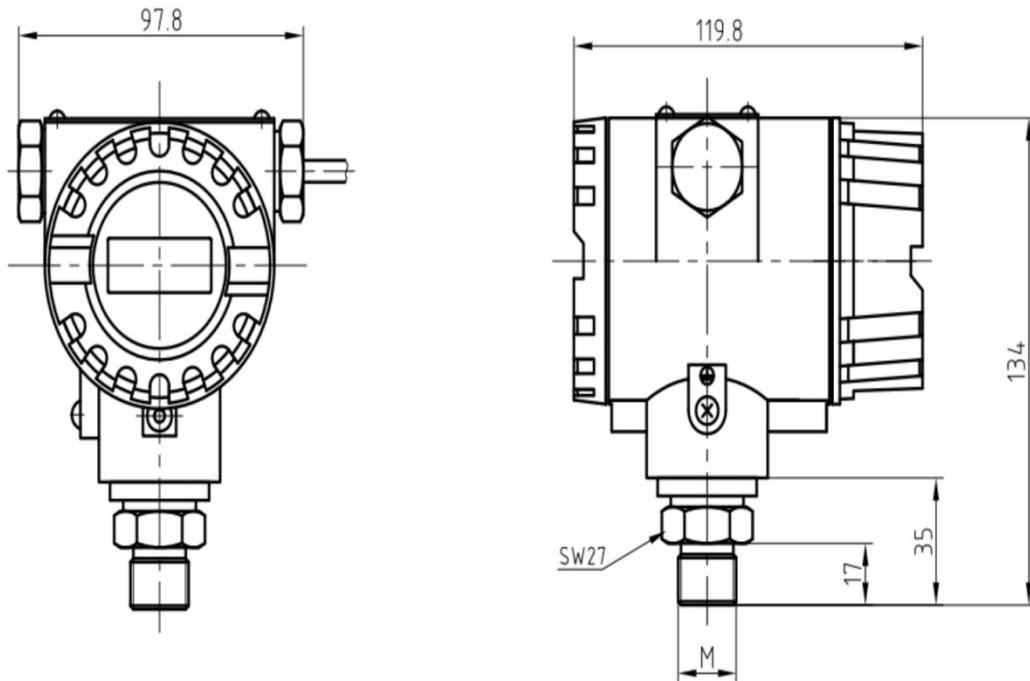
- Hazardous explosion-proof areas
- Oil and Gas
- Environmentally friendly water treatment
- Chemical industry
- Coal mine metallurgy
- Printing and dyeing
- Food and Beverage Pharmaceuticals
- HVAC Medical

Features:


PRODUCT PARAMETERS

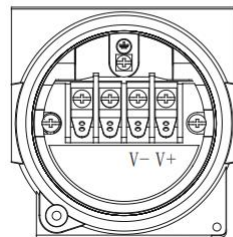
Measuring Range	-1~0~400bar
Pressure Mode	Absolute pressure, gauge pressure, negative pressure
Output/Communication	4-20mA,4-20mA+Hart,RS485
Accuracy	0.25%F.S, 0.5%F.S
Power Supply	DC 10~30V
Process Connector	G1/4,G3/8,G1/2,G3/4,G1 inch,1/4"NPT,1/2"NPT,R1 inch,1.5 ",Customizable
Electric Connection	M20*1.5(F),1/2"NPT(M),Customizable
Working Temp	-20~80°C, -20~180°C (High Temperature Type) ;
Overload Pressure	150%FS
Contact Medium Material	304 stainless steel, 316L stainless steel, PTFE, PVDF, Hastelloy alloy, Customizable
Response Time	≤10ms

OVERALL DIMENSIONS



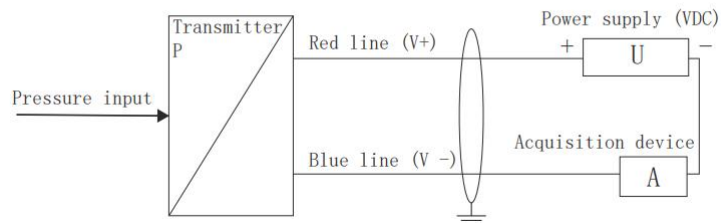
PRODUCT CONNECTION MODE

Current output wiring diagram (two-wire system)



V+: power supply positive

V -: power supply negative



PRODUCT SELECTION TABLE

Code								
ZJX-PA-EX-A2	Explosion-Proof Diaphragm Pressure Transmitter							
	Code	Pressure Mode						
	G	Gauge Pressure						
	A	Absolute Pressure						
		Code	Pressure Range					
		Fill In The Actual Demand	-1~0~400bar					
		Code	Output/Communication					
		O1	4-20mA					
		O2	4-20M+Hart					
		O3	RS485					
		O4	Customizable					
		Code	Process Connection					
		S1	G1/4					
		S2	G3/8					
		S3	G1/2					
		S4	1/4"NPT					
		S5	1/2"NPT					
		S6	Customizable					
		Code	Accuracy					
		C1	0.25%F.S					
		C2	0.5%F.S					
		C3	Customizable					
		Code	Shell Material					
		T1	304 stainless steel					
		T2	316 stainless steel					
		T3	17-4 Stainless Steel					
		T4	Hastelloy alloy					
		T5	Customizable					
		Code	Electrical Connection					
		L1	M20*1.5(F)					
		L2	1/2"NPT (M)					
		L3	Customizable					
ZJX-PA-EX-A2	G	0-160bar	O1	S3	C2	T2	L2	Model No.Example


ZIJUXING

HUNAN ZIJUXING TECHNOLOGY CO., LTD.

Tel: +86-731-85473669

Fax: +86-731-85473669

E-mail:postmaster@zjxsensor.com web:www.zjxsensor.com

 Address:No. 319, Linyu Road, High tech Development Zone,
 Changsha City, Hunan Province, China