

Explosion Proof And Anti-Corrosion Pressure Transmitter Model: ZJX-PA-EX-C1



PRODUCT FEATURES AND APPLICATION FIELDS

Description:

The ZJX-PA-EX-C1 explosion-proof and anti-corrosion pressure transmitter adopts single crystal silicon technology to improve accuracy while also meeting the requirements of corrosion resistance, suitable for various complex working conditions on site.

Features:

- Multiple range options
- Multiple signal outputs available
- Multiple electrical and mechanical connections available
- PTFE、PVDF、PP and other materials are optional

Advantages:

- High stability
- High precision
- Strong corrosion resistance
- High explosion-proof level
- Strong anti-interference ability
- Support OEM/ODM customization

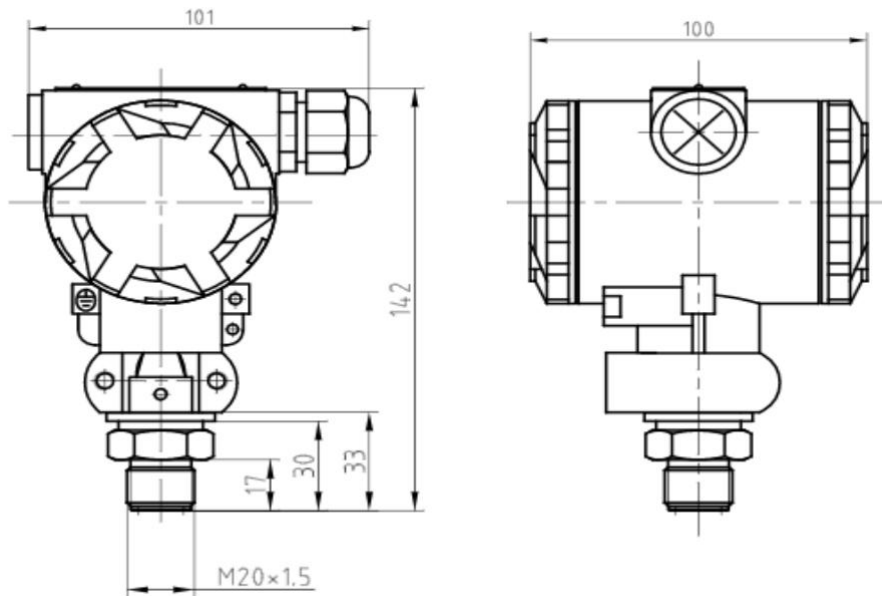
Application:

- Oil and Gas
- Sewage disposal
- Environmental protection chemical industry
- HVAC

PRODUCT PARAMETERS

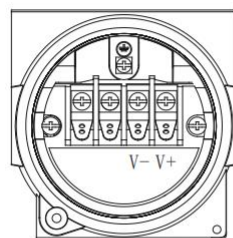
Measuring Range	0~5~60bar
Output/Communication	4-20mA,4-20mA+Hart,RS485
Accuracy	0.25%F.S, 0.5%F.S
Power Supply	DC 10~30V
Process Connector	G1/4,G3/8,G1/2,G3/4,G1 inch,1/4"NPT,1/2"NPT,R1 inch,Customizable
Electric Connection	M20*1.5(F),1/2"NPT(M),Customizable
Working Temp	-20~80°C
Overload Pressure	150%FS
Contact Medium Material	304 stainless steel, 316L stainless steel, Hastelloy alloy, Customizable
Response Time	≤10ms

OVERALL DIMENSIONS



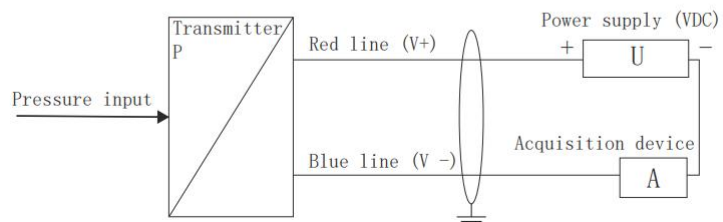
PRODUCT CONNECTION MODE

Current output wiring diagram (two-wire system)



V+: power supply positive

V -: power supply negative



PRODUCT SELECTION TABLE

Code							
ZJX-PA-EX-C1	Explosion Proof And Anti-Corrosion Pressure Transmitter						
	Code	Pressure Range					
	Fill In The Actual Demand	0~5~60bar					
		Code	Output/Communication				
		O1	4-20mA				
		O2	4-20M+Hart				
		O3	RS485				
		O4	Customizable				
		Code	Process Connection				
		S1	G1/4				
		S2	G3/8				
		S3	G1/2				
		S4	1/4"NPT				
		S5	1/2"NPT				
		S6	Customizable				
		Code	Accuracy				
		C1	0.25%F.S				
		C2	0.5%F.S				
		C3	Customizable				
		Code	Shell Material				
		T1	304 stainless steel				
		T2	316 stainless steel				
		T3	PTFE (Pressure Range ≤ 1MPa)				
		T4	PVDF (Pressure Range ≤ 1MPa)				
		T5	Hastelloy alloy				
		Code	Electrical Connection				
		M	M20*1.5(F)				
		N	1/2"NPT (M)				
		C	Customizable				
ZJX-PA-EX-C1	0-5bar	O1	S3	C1	T4	M	Model No.Example


ZIJUXING

HUNAN ZIJUXING TECHNOLOGY CO., LTD.

Tel: +86-731-85473669

Fax: +86-731-85473669

E-mail: postmaster@zjxsensor.com web: www.zjxsensor.com

 Address: No. 319, Linyu Road, High tech Development Zone,
 Changsha City, Hunan Province, China