

## Digital Pressure-Temperature Indicator

Model: ZJX-PA-I



### PRODUCT FEATURES AND APPLICATION FIELDS

#### **Description:**

The ZJX-PA-I digital pressure and temperature display instrument adopts intelligent electronic technology and single-chip computer technology, which can achieve manual/automatic switching function, measurement display/PID adjustment control function, and alarm protection function.

#### **Features:**

- Multiple input and output signals to choose from
- Manual automatic undisturbed switching
- Can display pressure and temperature data simultaneously
- Can display numerical values separately or PID closed-loop control

#### **Advantages:**

- Double layer dual color high-definition display
- With multi-channel alarm setting function
- Special modular processing with strong anti-interference ability
- Response speed can be set according to needs

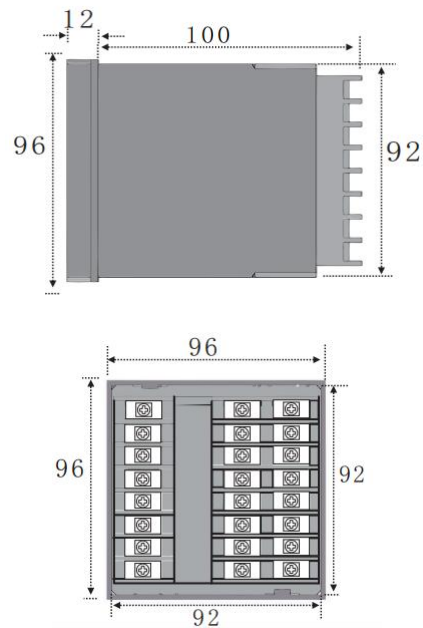
#### **Application:**

- Plastic/rubber/Chemical fiber textile
- Food/Packaging Machinery
- Medicine
- Chemical industry
- Petroleum
- Printing and dyeing

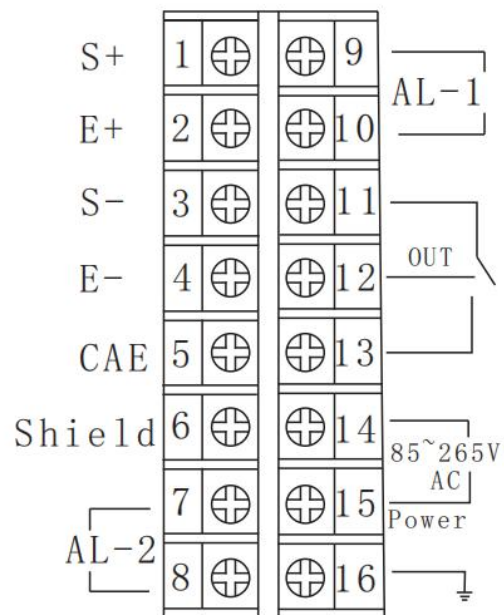
## PRODUCT PARAMETERS

|                               |   |
|-------------------------------|---|
| Display                       | Double four digits high brightness green and red radiation numeral pipe |
| Display Range                 | 001-9999Mpa (radix point alterable)                                     |
| Precision                     | 0.2%F.S+-1bit   |
| Pressure Signal Input         | 3.3mV/V 4-20mA, 0-10V,0-5V (Optional)                                   |
| Temperature Signal Input      | J, K, E thermocouple optional   |
| Sampling Speed                | 20 times/second   |
| Work Temperature And Humidity | 0-55°C, ≥80%RH  |
| Power Supply                  | 85-265VAC 50Hz-60Hz   |
| Size                          | ZJX-PA-I-1: 96mm x 96mm x 100 mm (W x H x D)                            |
|                               | ZJX-PA-I-2: 96mm×48mm×100 mm (W x H x D)                                |
|                               | ZJX-PA-I-3: 48mm×96mm×100 mm (W x H x D)                                |
| Weight                        | Approximately 400g/200g/200g  |

## OVERALL DIMENSIONS



## PRODUCT CONNECTION MODE



## PRODUCT SELECTION TABLE

| Code            |             |   |           |           |          |          |                         |
|-----------------|-------------|---|-----------|-----------|----------|----------|-------------------------|
| <b>ZJX-PA-I</b> |             | <b>Digital Pressure-Temperature Indicator</b> |           |           |          |          |                         |
|                 | <b>Code</b> | <b>Installation Dimensions</b>                |           |           |          |          |                         |
|                 | 1           | 96*96   |           |           |          |          |                         |
|                 | 2           | 96*48   |           |           |          |          |                         |
|                 | 3           | 48*96   |           |           |          |          |                         |
|                 | <b>Code</b> | <b>Display Method</b>                         |           |           |          |          |                         |
|                 | D1          | Display pressure value                        |           |           |          |          |                         |
|                 | D2          | Display pressure and temperature values       |           |           |          |          |                         |
|                 | <b>Code</b> | <b>Alarms</b>                                 |           |           |          |          |                         |
|                 | A1          | 1 Alarm relay                                 |           |           |          |          |                         |
|                 | A2          | 2 Alarm relay                                 |           |           |          |          |                         |
|                 | A3          | 3 Alarm relay                                 |           |           |          |          |                         |
|                 | <b>Code</b> | <b>Input Temperature Signal</b>               |           |           |          |          |                         |
|                 | N           | No Input temperature signal                   |           |           |          |          |                         |
|                 | I1          | J-type  |           |           |          |          |                         |
|                 | I2          | K-type  |           |           |          |          |                         |
|                 | I3          | E-type  |           |           |          |          |                         |
|                 | I4          | PT100   |           |           |          |          |                         |
|                 | <b>Code</b> | <b>Communication</b>                          |           |           |          |          |                         |
|                 | C           | Communication RS-485                          |           |           |          |          |                         |
|                 | N           | NO Communication RS-485                       |           |           |          |          |                         |
|                 | <b>Code</b> | <b>Power Supply</b>                           |           |           |          |          |                         |
|                 | D           | 24VDC   |           |           |          |          |                         |
|                 | A           | 220VAC  |           |           |          |          |                         |
| <b>ZJX-PA-I</b> | <b>1</b>    | <b>D1</b>                                     | <b>A2</b> | <b>I3</b> | <b>N</b> | <b>A</b> | <b>Model No.Example</b> |


**ZIJUXING**

HUNAN ZIJUXING TECHNOLOGY CO., LTD.

Tel: +86-731-85473669

Fax: +86-731-85473669

E-mail: postmaster@zjxsensor.com web: www.zjxsensor.com

 Address: No. 319, Linyu Road, High tech Development Zone,  
Changsha City, Hunan Province, China