

## Digital Display Pressure Switch

Model: ZJX-PA-PS



### PRODUCT FEATURES AND APPLICATION FIELDS

#### **Description:**

The ZJX-PA-PS digital display pressure switch is a fully electronic structure. The signal is processed by a high-precision and low-temperature drift amplifier, reaches a high-precision A/D converter, and is converted into a digital signal. At the same time, it is operated to control two switches. Finally, the control system pressure is measured and controlled.

#### **Features:**

- Easy to operate, safe and reliable
- Switch Normally Open/Normally Closed Setting
- 4-digit display of current pressure value
- High and low voltage protection
- Support OEM/ODM customization

#### **Advantages:**

- Hysteresis/Window Mode Switching
- Strong anti-interference, adjustable filtering coefficient
- Setting the return difference can eliminate oscillations
- Equipped with multiple self-diagnosis functions

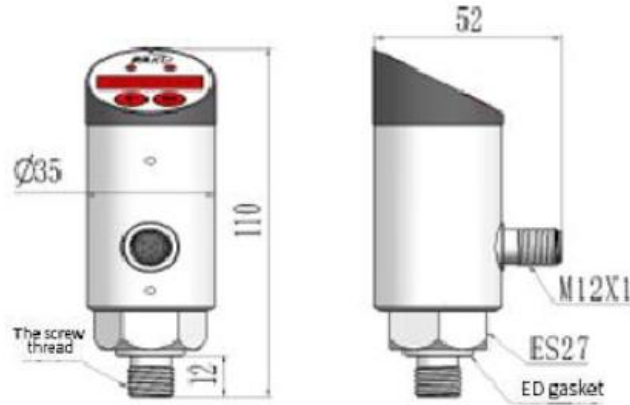
**Application:**

Hydropower  
 Machine tool  
 Hydraulic pressure  
 Oil field  
 Environment protection  
 Chemical industry  
 Construction machinery  
 Farmland water conservancy  
 HVAC  
 Medical treatment  
 Warehouse logistics

## PRODUCT PARAMETERS

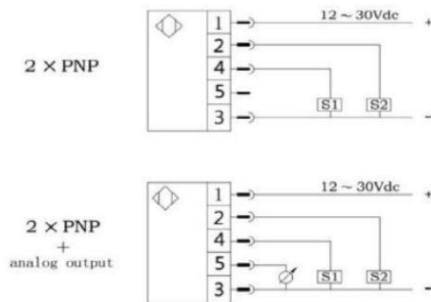
Pressure Type	Positive pressure/Negative pressure
Measuring Range	-1~0~600bar
Output Signal Type	PNP/NPN/4-20mA/1-5V
Output Signal Mode	PNP(NPN)、PNP+NPN、4-20mA、PNP(NPN)+4-20mA、PNP+NPN+4-20mA、PNP+NPN+1-5V
Process Connector	G1/4、G1/2、1.5 "
Mechanical Interface Mode	Interface thread、Chuck connection、Lack of mutual understanding、Flush membrane connection
Electrical Connections	M12*1 connection

## OVERALL DIMENSIONS

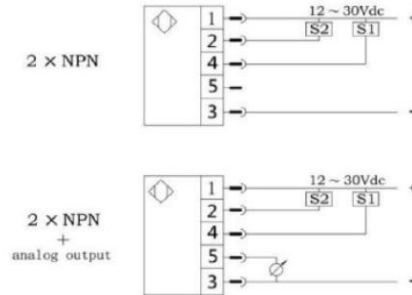


## PRODUCT CONNECTION MODE

Wiring Diagram 1. (PNP Output)



Wiring Diagram 2. (NPN output)



# PRODUCT SELECTION TABLE

Code								
ZJX-PA-PS	Digital Display Pressure Switch							
	Code	Pressure Type						
	P	Positive pressure						
	N	Negative pressure						
		Code	Pressure Range					
		Fill In The Actual Demand	-1~0~600bar					
		Code	Output					
		O1	4-20mA					
		O2	PNP					
		O3	NPN					
		O4	PNP+NPN					
		O5	PNP+4-20mA					
		O6	NPN+4-20mA					
		O7	PNP+NPN+4-20mA					
		O8	PNP+NPN+1-5V					
		Code	Process Connector					
		S1	Interface thread:G1/4					
		S2	Interface thread:G1/2					
		S3	Chuck connection:1.5 "					
		S4	Flush membrane connection:G1/4					
		S5	Flush membrane connection:G1/2					
		S6	customizations					
		Code	Interface Thread Type					
		E	External thread					
		I	Internal thread					
		Code	Electrical Connection,Waterproofing level					
		L	M12 4 Pins Connector, IP67					
		Code	Annex					
		N	No dampers, no heat sink					
		D	Dampers(optional)					
		F	Fin(optional)					
ZJX-PA-PS	P	0-16bar	O5	S2	E	L	N	Model No.Example


**ZIJUXING**

HUNAN ZIJUXING TECHNOLOGY CO., LTD.

Tel: +86-731-85473669

Fax: +86-731-85473669

E-mail:postmaster@zjxsensor.com web:www.zjxsensor.com

 Address:No. 319, Linyu Road, High tech Development Zone,  
Changsha City, Hunan Province, China