

Construction Machinery Grouting

Pressure Transmitter

Model: ZJX-PA-T3



PRODUCT FEATURES AND APPLICATION FIELDS

Description:

The ZJX-PA-T3 shield tunneling machine pressure transmitter adopts high-precision and high stability measuring elements as its internal structure, and the measuring end adopts a mechanical wear-resistant design structure. After multiple fatigue impact tests, temperature compensation, and a fully sealed structure, it has achieved the effects of corrosion resistance, impact resistance, and vibration resistance.

Features:

- Multiple pressure ranges available
- Multiple electrical connectors available
- Multiple output signals available
- High precision and strong anti-interference ability

Advantages:

- Anti clogging and impact resistant structural design
- Fully sealed electrical connection structure to prevent leakage
- The measuring end adopts anti-corrosion structure design
- Multiple fatigue aging tests to ensure product stability and repeatability
- Support OEM/ODM customization

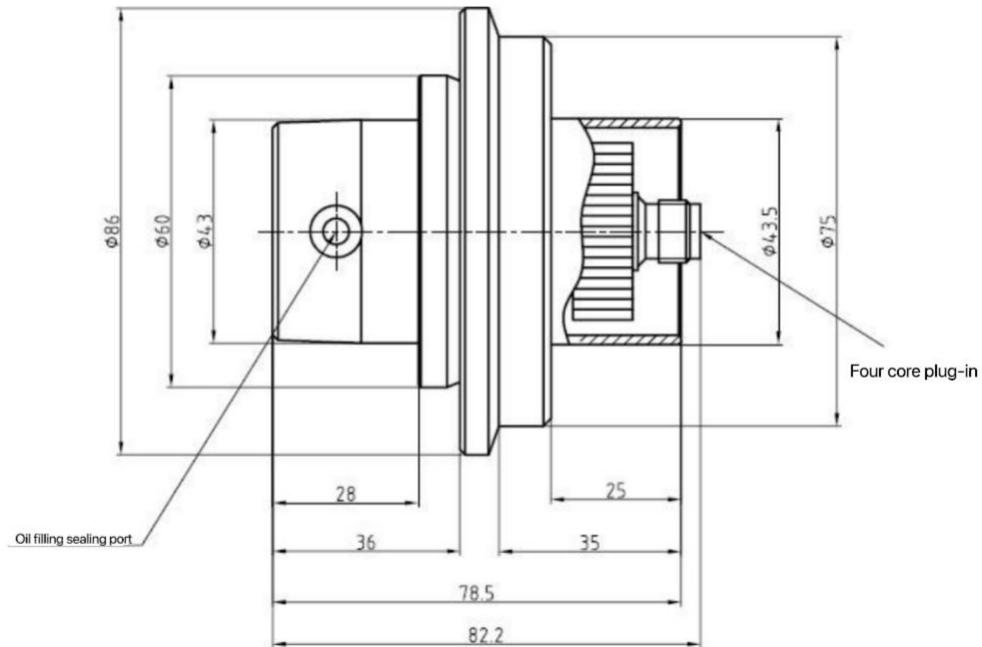
Application:

- Tunnel and urban construction
- Shield
- Push bench
- Construction machinery
- Building materials
- Brick making machinery
- Civil engineering

PRODUCT PARAMETERS


| | |
|--------------------------|-----------------------------------|
| Measuring Range | 0~250bar |
| Output | 4-20mA,0-10V,0-5V,0.5-4.5V,1mV |
| Accuracy | ±0.5%F.S,±0.25%F.S |
| Power Supply | 12~36VDC |
| Protect Grade | IP65,IP67 |
| Diaphragm Material | 316L |
| Load Pressure | 150%F.S |
| Response Time | ≤1 (10%~90%)ms |
| Medium Temperature | -25~85℃ |
| Compensation Temperature | -10~80℃ |
| Electrical Connector | Direct cable,5PIN, 4PIN connector |
| Process Connector | Flange mount(Customizable) |

OVERALL DIMENSIONS



PRODUCT CONNECTION MODE

Circular connector M12 x 1 (4-pin)

| | | 2-wire | 3-wire |
|---|-------|--------|--------|
|  | U_B | 1 | 1 |
| | 0V | 3 | 3 |
| | S+ | - | 4 |

PRODUCT SELECTION TABLE

| Code | | | | | | |
|-----------|--|----------------------------|---------------|----------------------|---|------------------|
| ZJX-PA-T3 | Construction Machinery Grouting Pressure Transmitter | | | | | |
| | Code | Measuring Range | | | | |
| | Fill In The Actual Demand | 0~250bar | | | | |
| | Code | Process Connector | | | | |
| | Fill In The Actual Demand | Flange Mount(Customizable) | | | | |
| | | Code | Output | | | |
| | | O1 | 4-20mA | | | |
| | | O2 | 0-10V | | | |
| | | O3 | 0-5V | | | |
| | | O4 | 0.5-4.5V | | | |
| | | O5 | 1mV | | | |
| | | Code | Accuracy | | | |
| | | C1 | 0.25%F.S | | | |
| | | C2 | 0.5%F.S | | | |
| | | Code | Protect Grade | | | |
| | | L1 | IP65 | | | |
| | | L2 | IP67 | | | |
| | | | Code | Electrical Connector | | |
| | | | D | Direct cable | | |
| | | | M | 4PIN connector | | |
| | | | L | 5PIN connector | | |
| ZJX-PA-T3 | 0-25bar-DN10 | O1 | C1 | L1 | M | Model No.Example |


ZIJUXING

HUNAN ZIJUXING TECHNOLOGY CO., LTD.

Tel: +86-731-85473669

Fax: +86-731-85473669

E-mail:postmaster@zjxsensor.com web:www.zjxsensor.com

 Address:No. 319, Linyu Road, High tech Development Zone,
Changsha City, Hunan Province, China